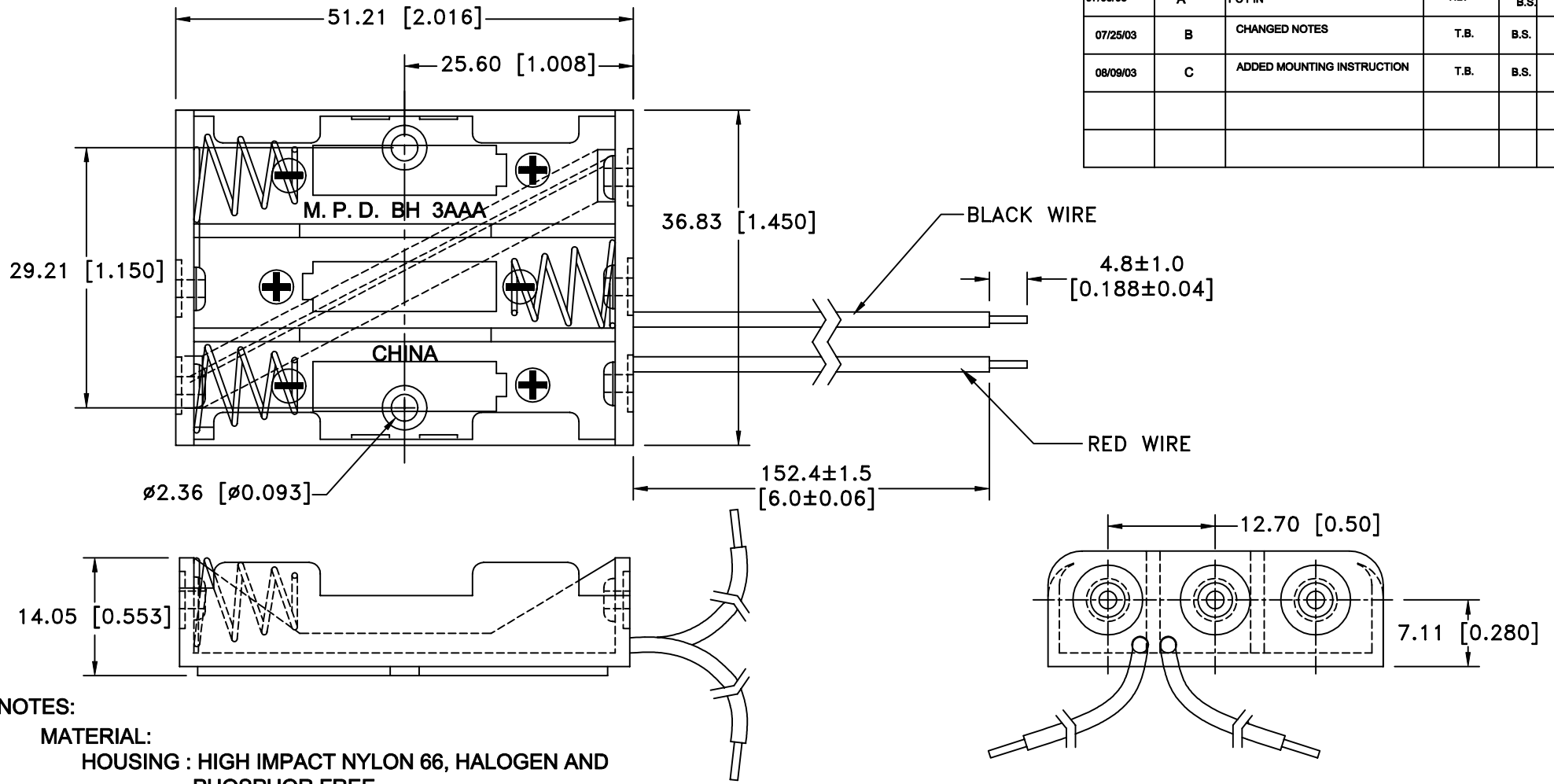


Date	SYM	REVISION RECORD	AUTH	DR.	CK.
07/05/03	A	ADDED UL FILE #, MTL. INFO. FOR PC PIN	T.B.	B.S.	
07/25/03	B	CHANGED NOTES	T.B.	B.S.	
08/09/03	C	ADDED MOUNTING INSTRUCTION	T.B.	B.S.	



NOTES:

MATERIAL:

HOUSING : HIGH IMPACT NYLON 66, HALOGEN AND PHOSPHOR FREE
 UL94V-0, BLACK, UL FILE # E48285

RIVETS: BRASS, NICKLE PLATED.

SPRING: 302 STAINLESS STEEL, NICKLE PLATED.


WIRE: 24AWG, UL1007, CSA, TR64

TEMPERATURE RANGE: -40°C TO +140°C

RESISTANT TO SOLVENTS, COMMON OILS AND REFRIGERANTS

MOUNTING INSTRUCTION:

USE 2-56 MACHINE SCREWS OR EYELETS 0.089" OD BY 0.15" FLANGE STIMPSON GS-3 SERIES OR EQUIVALENT. ALSO ADHESIVES AND DOUBLE SIDED TAPES WORK WELL.

Tolerance (Except as noted)	 Memory Protection Devices, Inc 200 Broad Hollow Road, Farmingdale, New York 11735		
decimal ±.5 (.020)	Scale	Drawn By B.S. Approved By T.B.	
Fractional ± .8 (.030)	Title THREE "AAA" CELL HOLDER		
Angular ± 3°	Date 08/09/03	Drawing Number BH3AAAW	